

Indoor Industrial AC1200 Access Point

A Powerful Industrial-Grade Network Solution

The DIS-2650AP is designed to support Small-to-Medium Businesses (SMB) or Enterprise environments by providing network administrators with secure and manageable dual-band wireless LAN options, and utilizing the cutting-edge speed of Wireless AC.

DIS-2650AP

- Easy to manage with D-Link's free centralized management software-based solution Nuclias Connect
- Superior throughput with dual-band transfer speeds up to 300 Mbps in the 2.4 GHz band and 867 Mbps in the 5 GHz band
- Band Steering ensures best available and supported frequency band
- Supports Power over Ethernet (802.3at) for less cable clutter
- Simple, soft-edge design, ideal for subtle visibility when wall or ceiling mounted (mounting hardware included)
- Supports multiple VLANs for enhanced network management and up to 16 SSID setups
- Supports WPA2™ - WiFi security for more protection
- 2 x Gigabit LAN port for high-capacity backhaul to the wired network
- Multiple AP modes to ensure performance optimization based on your network's needs
- MAC Address Filtering and WLAN Partitioning ensure ultimate control of your network's access
- Captive Portal with industry-standard authentication for enhanced access management
- Works as a standalone AP or as part of a centralized, scalable multi-device deployment
- Built-in 2 kV surge protection and 15KV ESD protection
- Dual power input for redundant power supplies
- Wider operating temperature



Nuclias Connect



Free-to-Download Management Software



Inexpensive Hardware Controller



Searchable Event Log and Change Log



License-Free Access Points



Traffic Reporting & Analytics



Authentication via Customizable Captive Portal, 802.1x and RADIUS Server, POP3, LDAP



Backwards-Compatibility



Remote Config. & Batch Config.



Multilingual Support



Intuitive Interface



Multi-Tenant & Role-Based Administration



Payment Gateway (Paypal) Integration and Front-Desk Ticket Management

General	
Device Interfaces	IEEE 802.11a/b/g/n/ac wireless ¹ 2 x Gigabit LAN (PoE supported) 1 x Console Port
Standards	IEEE 802.11a/b/g/n/ac ¹ IEEE 802.3u/ab IEEE 802.3az Energy-Efficient Ethernet (EEE) IEEE 802.3at Power over Ethernet
Antennas	2 x external omni-directional antennas <ul style="list-style-type: none"> • 2.5 dBi at 2.4 GHz • 3.0 dBi at 5 GHz
Operating Frequency ²	2.4 GHz band: 2.4 to 2.4835 GHz 5 GHz band: 5.15 to 5.35 GHz, 5.47 to 5.85 GHz
Maximum Output Power	2.4 GHz band: 23 dBm 5 GHz band: 23 dBm
Data Signal Rate	2.4 GHz band: Up to 300 Mbps ¹ 5 GHz band: Up to 866 Mbps ¹

Functionality	
Security Features	WPA/WPA2 WEP 64/128-bit encryption SSID broadcast disable MAC address access control
Network Management	Web (HTTP) Secure Socket Layer (SSL) D-Link Nuclias Connect
LED Display	PWR1/PWR2/STATUS/POE/ALARM/2.4G/5G/SIGNAL
Other Features	Fast Roaming Support with 802.11k, 802.11v, and 802.11r Passpoint Hotspot 2.0 Support

Physical	
Dimensions	196.2 x 105.9 x 40 mm (7.72 x 4.17 x 1.57 in)
Weight	785 g (1.78 lbs)
Power Supply	4-contact terminal block (DC)
Maximum Power Consumption	14.478 W
MTBF	341,897 hours
Installation	DIN rail/wall mountable
Temperature	Operating: -20 to 65°C (-4 to 149°F) Storage: -40 to 80°C (-40 to 176°F)
Humidity	Operating: 10% to 90% non-condensing Storage: 5% to 95% non-condensing
Certifications	FCC, CE ³ , LVD, NCC, BSMI

¹ Maximum wireless signal rate derived from IEEE standard 802.11 and 802.11ac specifications. Actual data throughput will vary. Network conditions and environmental factors, including volume of network traffic, building materials and construction, and network overhead, lower actual data throughput rate. Environmental factors will adversely affect wireless signal range.

² Please note that operating frequency ranges vary depending on the regulations of individual countries and jurisdictions. The DIS-2650AP may not support the 5.25 - 5.35 GHz and 5.47 - 5.725 GHz frequency ranges in certain regions.

³ For the EU region, this product is compliant with CE regulations and operates within the following frequency ranges: 2.4 - 2.4835 GHz, 5.150 - 5.250 GHz, 5.250 - 5.350 GHz, and 5.470 - 5.750 GHz.

DIS-2650AP

Indoor Industrial AC1200 Access Point

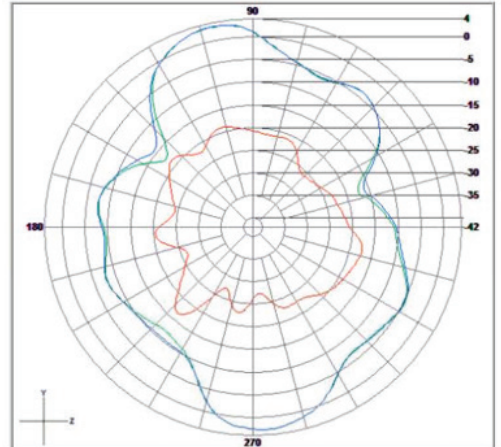
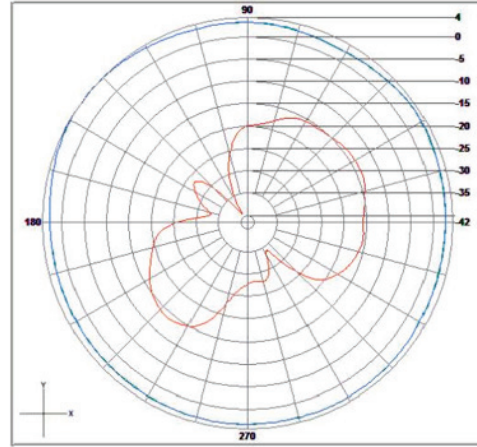
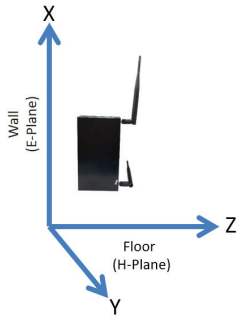
Antenna Patterns

Orientation

H-Plane

E-Plane

2.4 GHz Wall/DIN-rail Mounted



5 GHz Wall/DIN-rail Mounted

