

Product Highlights

Rugged Construction

Subjected and certified to rigorous dust and water immersion tests, the IP66 weatherproof and IK10 vandal-proof protection feature makes it suitable for demanding outdoor applications.

Intelligent Video System (IVS)

The camera comes with built-in intelligent video analytics, the camera has the ability to detect and analyze moving objects for improved video surveillance.

High Quality Video

With Smart Encode H.265+, the camera deliver high quality video without straining the network.



DCS-F4222

2MP Network Mini IR PT Dome

Features

- 1/2.8" Progressive Scan CMOS
- 2.8-8mm motorized lens
- 25fps/30fps@2MP(1920*1080)
- Triple Streams
- Smart IR Up to 20m
- Low bitrate ,Excellent low light performance
- WDR,3D DNR
- ROI, Defog, HLC, Corridor mode, DIS
- IP66

DCS-F4222 employs H.265 encoding technology, bringing high efficient video compression. It saves bandwidth and storage, energy-saving design to enhance the monitoring system. Meanwhile, the series offers features such as Smart IR technology, intelligent image analysis techniques. It provides excellent image quality and intelligent and efficient event reminders. This series provides IP66 weatherproof and IK10 vandal-proof protection feature.

Wide Dynamic Range

Embedded with industry leading wide dynamic range (WDR) technology, vivid pictures are achieved even in the most intense contrast lighting conditions. For applications with both bright and low lighting conditions that change quickly, true WDR (120dB) optimizes both the bright and dark areas of a scene at the same time to provide usable video.

Intelligent Video System (IVS)

With built-in intelligent video analytics, the camera has the ability to detect and analyze moving objects for improved video surveillance. The camera provides optional standard intelligence at the edge allowing detection of Perimeter, Single Virtual Fences, Double Virtual Fences, Loiter, Multi Loiter, Object Left, Object Removed, Abnormal Speed, Converse, Illegal Parking, Signal Bad.

Environmental

With a temperature range of -30 °C to +50 °C (-22 °F to +122 °F), the camera is designed for extreme temperature environments. Subjected and certified to rigorous dust and water immersion tests, the IP67 rating makes it suitable for demanding outdoor applications.

Smart Encode (H.265+)

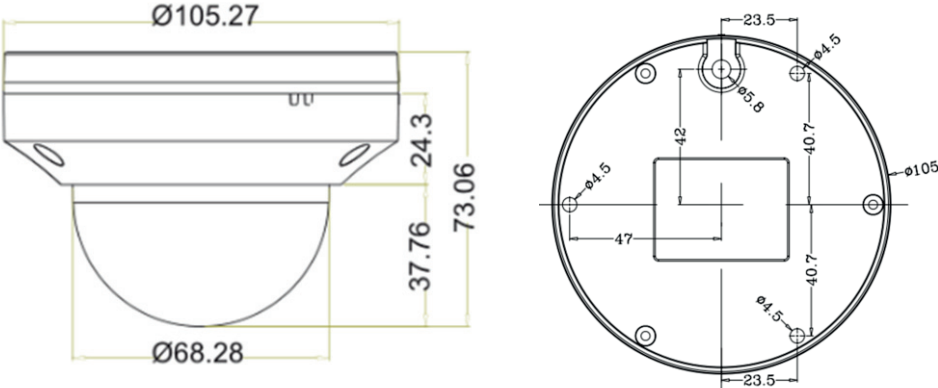
Deliver high quality video without straining the network, Smart Encode H.265+ is the optimized implementation of H.265. The Smart H.265+ encoding technology includes a scene adaptive encoding strategy, dynamic GOP, dynamic ROI, flexible multi-frame reference structure and intelligent noise reduction, providing saving of up to 70% of bandwidth and storage when compared with standard H.265.

HEVC (H.265)

H.265 ITU-T VCEG is a new video coding standard. H.265 Following standard developed around the existing video coding standard H.264, some retain the original technology, while some of the relevant technology to improve the new technology uses advanced technology to improve the relationship between the code stream, encoding quality, and the delay between algorithm complexity, optimize settings specific contents include: Improve compression efficiency, improve the robustness and error recovery capabilities, real-time to reduce the delay, reduce channel acquisition time and a random access delay, reduce complexity.

Technical Specifications	
Camera Specification	
Image Sensor	• 1/2.8" Progressive Scan CMOS
Effective Pixels	• 1920(H)×1080(V)
Scanning System	• Progressive
Electronic Shutter	• 1/5-1/20000s
Min. illumination	• Color:0.01Lux@(F1.2,AGC ON),B/W:0Lux@(IR LED ON)
S/N Ratio	• 55dB
IR Range	• Up to 20m
IR On/Off Control	• Auto / Manual
IR LEDs	• 3pcs
Pan/Tilt/Rotation Range	• Pan:0°~350°, Tilt:0°~90° Pan:0.1~120°/s ; Tilt:0.1~120°/s
Lens Specification	
Lens Type	• Motorized
Iris	• Fixed Iris
Focal Length	• 2.8~8mm
F Number	• F1.6
Angle of View	• 90°~ 45°
Focus Control	• Motorized
Close Focus Distance	• 0.2m
Video Specification	
Compression	• H.265,H.265,MJPEG
Max. Resolution	• 1080P(1920×1080)
Streaming Capability	• 3 Streams
Stream / Frame Rate	• Stream1: 1920×1080/1280×720 @25/30fps Stream2: D1/VGA/640×360/CIF/QVGA @25/30fps Stream3: VGA/CIF/QVGA @25/30fps
Bit Rate Control	• CBR/VBR
Bit Rate	• Stream1: 500kbps~12000kbps Stream2: 100kbps~6000kbps Stream3: 100kbps~3000kbps
Day/Night	• ICR
Image Enhancement	• HLC / Defog / WDR (96dB)
White Balance	• Support
Gain Control	• Auto / Manual
Noise Reduction	• 2D / 3D DNR
Electronic Image Stabilization(EIS)	• Support
Smart IR	• Support
Mirror	• Support
Region of Interest	• Support
Video Specification	
Motion Detection	• Support
Privacy Masking	• Support
Audio Specification	
Compression	• N/A
Bit Rate	• N/A
Network Specification	
Protocols	• IPv4/IPv6, 802.1x, HTTP, HTTPS, TCP/IP, UDP/IP, RTSP, DHCP, NTP, RTP/RTCP, PPPoE, SMTP, DNS, UPnP, FTP, ARP, SNMP
Interoperability	• ONVIF
Streaming Method	• Unicast
Max. User Access	• 10 Users
Web Viewer	• <IE11, Chrome, Firefox
Management Software	• IMS 3.0
Smart Phone	• IOS, Android
Intelligence Specification	
IVS	• Perimeter, Single Virtual Fences, Double Virtual Fences, Loiter, Multi Loiter, Object Left, Object Removed, Abnormal Speed, Converse, Illegal Parking, Signal Bad
Interface	
Ethernet	• 1 Ethernet (10/100 Base-T) RJ-45 Connector
Audio Interface	• N/A
Alarm	• N/A
RS485	• N/A
BNC Output	• N/A
Reset Button	• Built-in
Edge Storage	• N/A
Electrical	
Power Supply	• DC12V/POE+
Power Consumption	• 2.5W(IR LED OFF), 5W (IR LED ON)
Operating Temperature	• Starting Temperature: -30°C ~ 50°C (-22°F ~ 122°F) • Working Temperature: -30°C ~ 50°C (-22°F ~ 122°F)
Operating Humidity	• Less than 90% RH
Ingress Protection	• IP66
Certifications	• CE / FCC
Casing	• Metal
Dimensions	• φ105×73mm
Net Weight	• 450g

Dimensions (mm)



ACCESSORIES