

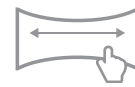
DCS-8515LH HD Pan & Tilt Wi-Fi Camera



Product Highlights



Auto Motion Tracking
Automatic Pan/Tilt to follow an object as it moves¹



Panorama View Angle Selection
See the camera's range of view and tap to jump to a specific area objects as they move



Sound & Motion Detection
Receive alert notifications and record video clips

Your Home, Only Smarter.

The DCS-8515LH HD Pan & Tilt Wi-Fi Camera provides a range of features to help you effectively monitor large areas of your home or small office at all hours of the day. The pan/tilt function allows the camera to patrol a wide area, while the built-in IR LEDs provide around the clock surveillance regardless of the lighting conditions. Extra details are captured in 720p high-definition, 1 megapixel resolution and H.264 compression saves space without sacrificing performance. Wireless connectivity means there is no need for additional cabling.

Peace of Mind with 24/7 Monitoring of any Environment

Send notifications with video clips whenever motion or sound is detected using just the DCS-8515LH and an Internet connection. You can select areas of the video image to monitor for motion, allowing you to effectively monitor areas such as entry ways. You can also set volume thresholds to determine the sound level required to trigger a notification, great for detecting the sound of an intruder or vehicle, or the cry of a baby. Night time monitoring is also possible thanks to built-in infrared LEDs which allow for night time viewing of up to 5 meters (16 feet), enabling round-the-clock monitoring³ of your home or small office. You can also use your phone to block the lens in order to prevent anything from being seen to assure ultimate privacy anytime you want.

Instant Access Anywhere with mydlink™

Enhanced with the mydlink™ app⁴, the DCS-8515LH makes it easier and more convenient for you to keep an eye on your family, home or office, no matter where you are. You can view your camera's live video³ through the mydlink app from anywhere using a Wi-Fi or 3G/4G connection, anytime.

Features

- ◆ Pan and tilt functionality allows moving the lens to view a specific area
- ◆ An object can be automatically followed as it moves¹
- ◆ High-quality 720p HD sensor provides detailed snapshots and crisp video
- ◆ Lens has a 120-degree viewing angle
- ◆ Built-in IR LEDs to capture video in low-light environments, or even complete darkness up to 5 m (16 ft)
- ◆ Built-in microphone and speaker for two-way communication
- ◆ microSD card² slot lets you backup video and images to a flash card
- ◆ mydlink app lets you receive notifications, enable Privacy Mode, as well as save snapshots and video clips to your mobile device
- ◆ Connects to your wireless network so you can easily install the camera anywhere you have Wi-Fi access
- ◆ Google Assistant / Alexa / IFTTT support
- ◆ AES128-encrypted video and audio streaming

Anytime, Anywhere Access with mydlink™ Cloud Recording

Enhanced with mydlink™ cloud recording support, the DCS-8515LH makes it easy and convenient for you to look after your family and check up on your home or office. With a mydlink cloud recording subscription, you can have peace of mind with your video recordings sent automatically to a cloud server. Play back recordings from the cloud or download video clips to your mobile device from anywhere, anytime through the Internet. Access real-time live views of your cameras using the mydlink mobile app and set automated schedules via your mobile device, no matter where you are..

Sharp Image Monitoring from Different Angles

By providing you with sharp, responsive pan/tilt movement and digital zoom, the HD Pan & Tilt Wi-Fi Camera gives you full control. You can quickly scan a wide area from a variety of angles, and digital zoom lets you zoom in on specific areas for more detail. The DCS-8515LH can also be set to move to specific preset positions, allowing the camera to focus on particular areas of interest within the surveillance area.

Product Images

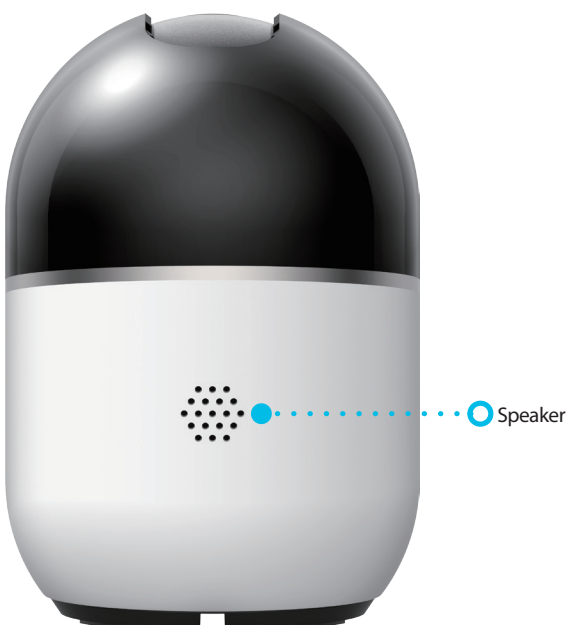
Front View



Front View (tilted up)



Back View

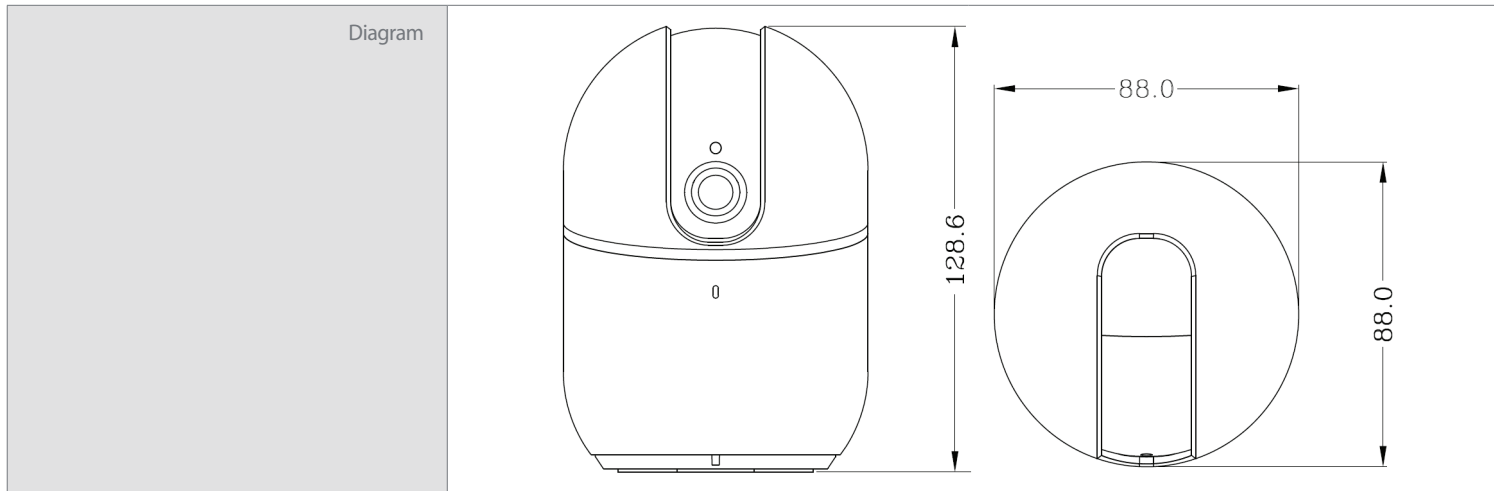


Bottom View



Technical Specifications

Camera		
Hardware Profile	<ul style="list-style-type: none"> • Camera lens: <ul style="list-style-type: none"> • 1/4" progressive CMOS sensor • Lens focal length: 2.55 mm • Aperture: F2.2 • Minimum illumination: <ul style="list-style-type: none"> • IR-LED on: 0 lux • 5 m (16 ft) IR illumination distance • Infrared-Cut Removable (ICR) Filter 	<ul style="list-style-type: none"> • Angle of view (16:9): <ul style="list-style-type: none"> • Horizontal: 96° • Vertical: 53° • Diagonal: 120° • Built-in Microphone • Built-in Speaker • microSD slot² • Light sensor
Image Features	<ul style="list-style-type: none"> • Configurable video resolution • Configurable sound detection level 	<ul style="list-style-type: none"> • Configurable motion detection windows
Video Compression	<ul style="list-style-type: none"> • Simultaneous H.264 format compression 	<ul style="list-style-type: none"> • JPEG for still images
Video Resolution	<ul style="list-style-type: none"> • Main profile: 720p (1280 x 720) at up to 30 fps 	<ul style="list-style-type: none"> • Second profile: 360p (640 x 360) at up to 30 fps
Audio Support	<ul style="list-style-type: none"> • MPEG-2 AAC LC 	
Pan/Tilt		
Pan Range	<ul style="list-style-type: none"> • -170° to +170° (total 340°) 	<ul style="list-style-type: none"> • 30° per second
Tilt Range	<ul style="list-style-type: none"> • -10° to +95° (total 105°) 	<ul style="list-style-type: none"> • 25° per second
Network		
Connectivity	<ul style="list-style-type: none"> • 802.11n/g/b wireless with WPA/WPA2 encryption 	<ul style="list-style-type: none"> • Bluetooth Low Energy (BLE) 4.0
Network Protocols	<ul style="list-style-type: none"> • IPv6, IPv4, ARP, TCP/IP, UDP, ICMP • DHCP Client 	<ul style="list-style-type: none"> • HTTPS • Bonjour
System Integration		
Event Management	<ul style="list-style-type: none"> • Motion detection • Sound detection • Cloud recording • SD card recording² 	<ul style="list-style-type: none"> • Manually taken snapshots & video clips are saved to mobile device • Push notifications
Mobile Support	<ul style="list-style-type: none"> • mydlink™ app⁴ for iOS, and Android devices 	
Physical		
Environment	<ul style="list-style-type: none"> • For indoor use only 	
Power Adapter	<ul style="list-style-type: none"> • Input: 100 to 240 V AC, 50/60 Hz 	<ul style="list-style-type: none"> • Output: 5 V DC 1.2 A (Micro-USB)
Power Consumption	<ul style="list-style-type: none"> • Maximum: 6 W 	
Temperature	<ul style="list-style-type: none"> • Operating: 0 to 40 °C (32 to 104 °F) 	<ul style="list-style-type: none"> • Storage: -20 to 70 °C (-4 to 158 °F)
Humidity	<ul style="list-style-type: none"> • Operating: 20% to 80% non-condensing 	<ul style="list-style-type: none"> • Storage: 5% to 95% non-condensing
Certifications	<ul style="list-style-type: none"> • CE • CE LVD • RCM 	<ul style="list-style-type: none"> • FCC • ICES
Dimensions (L x W x H)	<ul style="list-style-type: none"> • 88 x 88 x 128.5 mm (3.47 x 3.47 x 5.06 in) 	
Weight	<ul style="list-style-type: none"> • Camera: 340 g (11.99 oz) 	<ul style="list-style-type: none"> • Wall Mount: 11 g (0.39 oz)



Order Information

Part Number	Description
DCS-8515LH	HD Pan & Tilt Wi-Fi Camera

¹ Motion tracking feature can only track a single object at a time. Performance may be affected when multiple objects are moving within the camera's field of view.

² Camera is compatible with microSD/SDHC/SDXC cards up to v3.01 with up to 256GB of capacity. Camera is not compatible with v4.x cards.

³ Use of audio or video equipment for recording the image or audio of a person without their knowledge and consent is prohibited in certain states or jurisdictions. The end-user assumes all liability for compliance with applicable state, local and federal laws.

⁴ Check device app store for OS requirements.

Updated 3/8/2019

Updated 2019/03/11